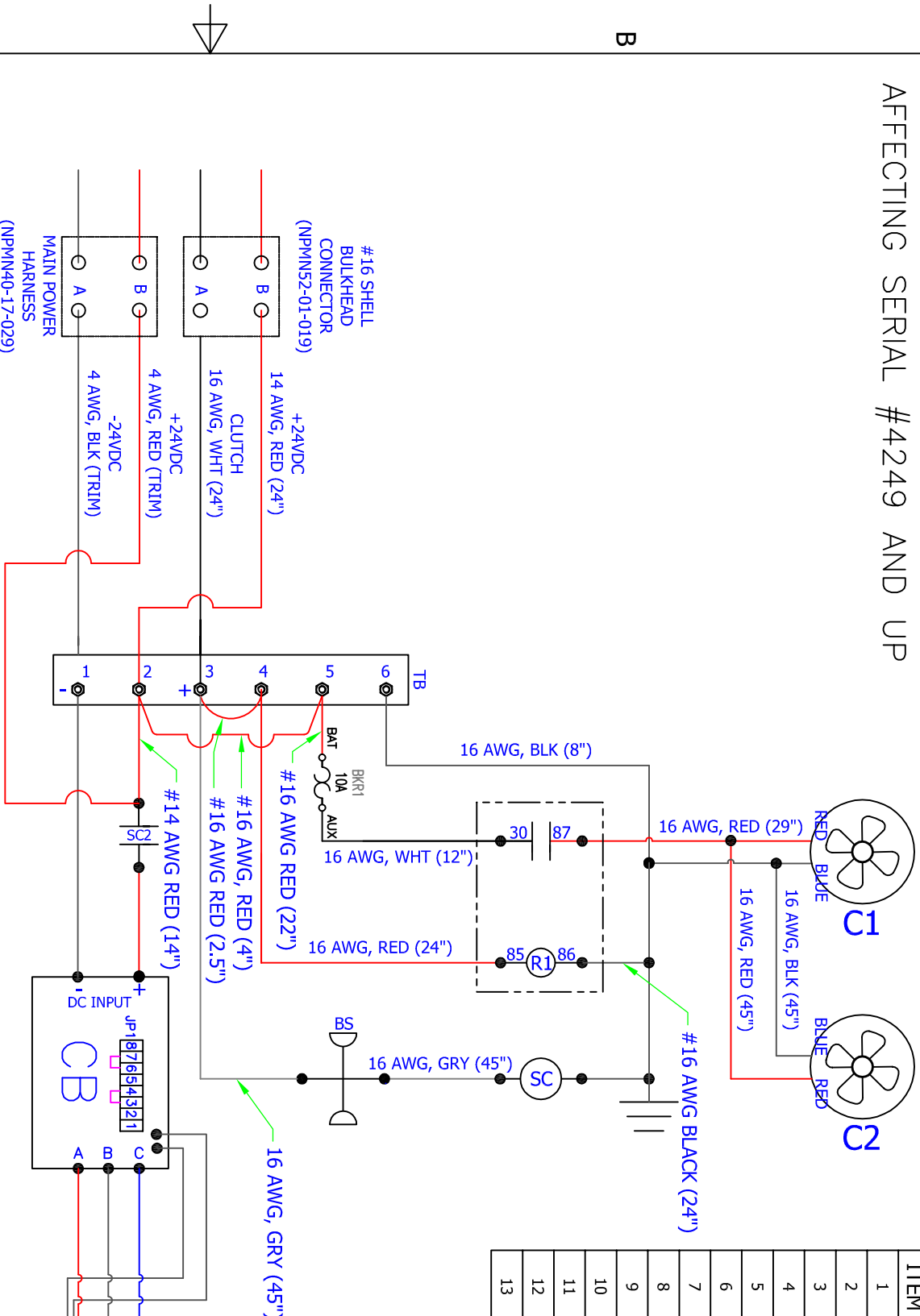


AFFECTING SERIAL #4249 AND UP

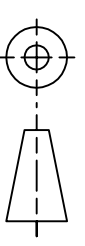
ITEM	LABEL	QTY.	PART NO.	DESCRIPTION
1	BS	1	MN62-13-004	BINARY SWITCH- 350
2	CL, C2	2	NPMN07-01-007	CONDENSER BLOWERS- AXIAL 24V DC
3	CB	1	NPMN53-04-000	RCC, 24/48V CONTROLLER ENCLOSURE ASSEMBLY
4	COMP	1	NPMN65-01-003	24V DC COMPRESSOR- PURPLE
5	R1	R1	MN20002123	RELAY, 24V DC
6	SC, SC2	1	NPMN40-01-000	SOLENOID- CONTINUOUS DUTY 24V, 85A
7	TB	1	NPMN53-01-003	4 GANG TERMINAL BLOCK- SINGLE STUDS
8	n/a	38"	100447628	14 AWG, TEW, RED
9	n/a	58"	100447624	16 AWG, TEW, WHITE
10	n/a	100"	100447618	16 AWG, TEW, RED
11	n/a	116"	100447621	16 AWG, TEW, BLACK
12	n/a	90"	100447620	16 AWG, TEW, GRAY
13	BKR1	1	MN40-02-001	10A AUTO RESET BREAKER



- LED FAULT INDICATOR OUTPUT**
- 1 FLASH - OVER CURRENT
 - 2 FLASHES - OVER VOLTAGE
 - 3 FLASHES - UNDER VOLTAGE
 - 4 FLASHES - CONTROLLER OVERHEAT
 - 5 FLASHES - MOTOR OVERHEAT
 - 6 FLASHES - STALLED
 - 7 FLASHES - LOW SPEED
 - 8 FLASHES - STARTUP FAILED

REV	DESCRIPTION	DATE	BY
1.0	INITIAL REVISION	06/15/2011	SP
1.1	ADD NOTES FOR LED FAULT INDICATOR OUTPUT	1/3/2013	NH
1.2	ADD 10A AUTO RESET BREAKER AND CHANGED CONDENSER FAN RELAY WIRE CONNECTION AFFECTING SERIAL # 4249 AND UP	5/6/2013	NH
1.3	ADDED LENGHT OF THE WIRE AND NOTE TO CIRCUIT BREAK AS PER SHOP MARK UP SEE EGN#273	5/24/2013	NH

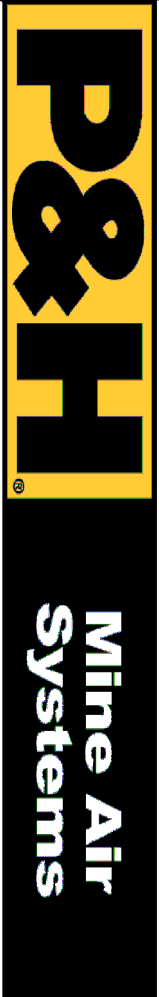
UNLESS OTHERWISE SPECIFIED DIMENSION TOLERANCE: ±.005
EXCEPTIONS AS FOLLOWS:
ANGLE = ± 0° 30'
BREAK EDGES = 1/32
SURFACE = 125 RMS



DIMENSIONS IN INCHES

COPYRIGHT 2008, MINE AIR SYSTEMS. THIS DRAWING AND ITS INFORMATION CONTAINED THEREIN IS CONFIDENTIAL AND THE SOLE PROPERTY OF MINE AIR SYSTEMS. THE INFORMATION CONTAINED WITHIN MAY NOT BE TRANSMITTED, USED, OR REPRODUCED WITHOUT THE WRITTEN CONSENT OF MINE AIR SYSTEMS

DWN BY	SP	DATE	06/15/2011
CHECKED		DATE	
MATERIAL	N/A		
SCALE	N/A	ASSEMBLY	



TITLE
REMOTE CONDENSER W/ 24V COMPRESSOR & CTRL ENCLOSURE WIRING DIAGRAM

SHEET 1 OF 1	PRODUCT NPMNMRCS5-CWC-02 / NPMNCRCS5-CWC-02	WEIGHT N/A	SIZE A	REV. 1.3
DRAWING NO. E-MRC5-CWC-02				